

## PRODUCT DATA SHEET



MATERIAL



WARRANTY

## Intake grilles

NOVELTY

VCSM

The initial component of ventilation systems with heat recovery unit. Designed for external use in residential and public buildings. Equipped with a drip deflector to protect the wall from water droplets and a protective mesh to cover the inlet opening.

The designed geometry ensures minimal air resistance/pressure drop while providing protection against rainwater.

A rubber gasket facilitates installation and prevents water leakage from the ventilation duct. Mounting holes at the corners allow for attachment to the wall. The side placement of detachable intake front screws makes installation and disassembly for maintenance easier.

## CHARACTERISTICS OF COLOR VARIANTS

## White, Graphite(GR)

- Galvanized steel sheet with a thickness of 0.7 mm, powder-coated using passivation technology for additional corrosion protection
- An attractive color used in contemporary construction

## Inox(I)

- High-quality stainless steel sheet - acid-resistant, chrome-nickel (grade: 316L/1.4404) with a thickness of 0.6 mm
- Aesthetically polished surface

All materials used are suitable for external applications

Protective mesh for the inlet opening

Mounting gasket with double-lipped seal

Fast and easy installation (4 mounting holes in the corners)



VCSM\*/WHITE



VCSM\*GR/GRAPHITE

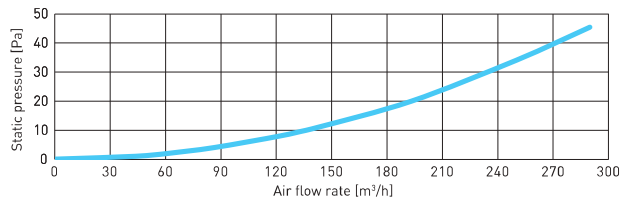


VCSM\*/INOX

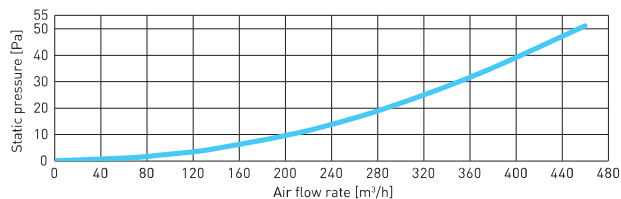
\* Connector diameter

## AIR FLOW CHARACTERISTICS

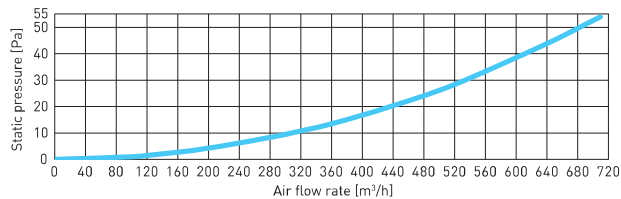
VCSM 160



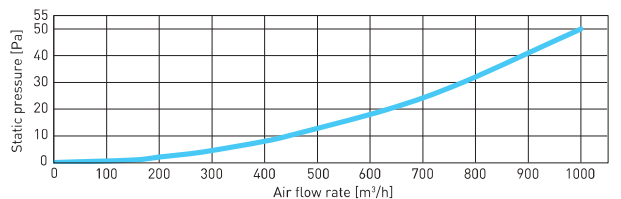
VCSM 200



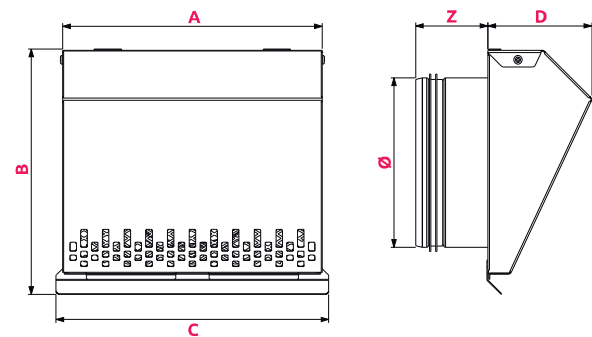
VCSM 250



VCSM 315



## DIMENSION



	Ø	A	B	C	D	Z
VCSM160	160	237	224	249	95	66
VCSM200	200	277	264	289	108	66
VCSM250	250	327	314	339	124	66
VCSM315	315	392	379	404	144	76

## MOUNTING POSITION



# Exhaust grilles

**NOVELTY**

VWSM

Heat recovery system components

Endings of ducts in mechanical ventilation systems with heat recovery unit. Designed for external use in residential and public buildings. Equipped with a drip deflector to protect the wall from water droplets and a protective mesh to cover the outlet opening.

The perpendicular geometry of the air discharge with side closure prevents the wall from getting dirty due to exhausted air. The designed geometry ensures minimal resistance/pressure drop of the expelled air.

A rubber gasket facilitates installation and prevents water from flowing out of the ventilation duct. Mounting holes in the corners allow for attachment to the wall. The side positioning of the detachable outlet front screws facilitates installation and disassembly for maintenance easier.

## CHARACTERISTICS OF COLOR VARIANTS

White, Graphite(GR)	Inox(I)
All materials used are suitable for external applications	
<ul style="list-style-type: none"> <li>Galvanized steel sheet with a thickness of 0.7 mm, powder-coated using passivation technology for additional corrosion protection</li> <li>Atrakcyjna kolorystyka stosowana w obecnym budownictwie</li> </ul>	<ul style="list-style-type: none"> <li>High-quality stainless steel sheet - acid-resistant, chrome-nickel (grade: 316L/1.4404) with a thickness of 0.5 - 0.6 mm</li> <li>estetyczna powierzchnia polerowana</li> </ul>
Protective mesh for the outlet opening	
Mounting gasket with double-lipped seal	
Fast and easy installation (4 mounting holes in the corners)	



VWSM\*/WHITE



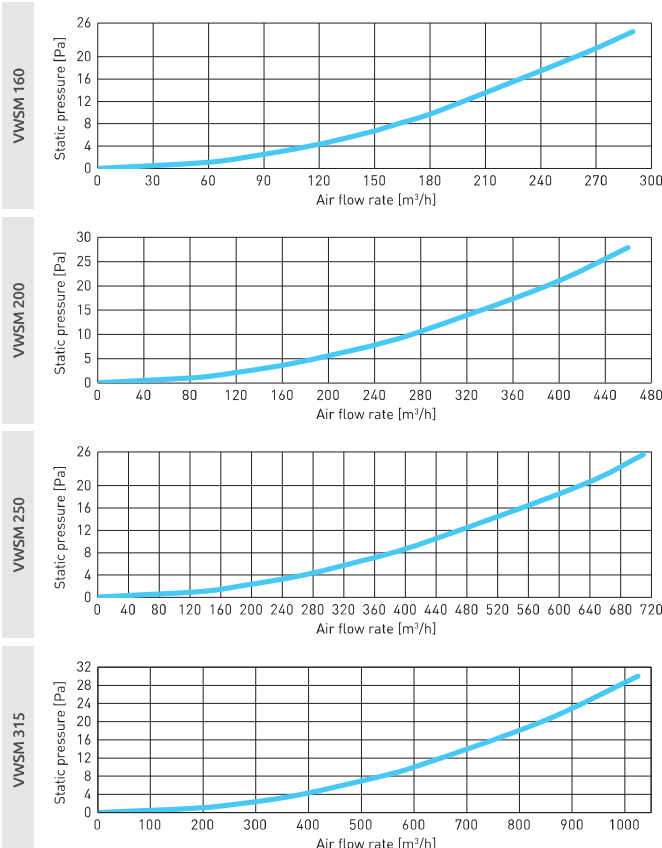
VWSM\*GR/GRAPHITE



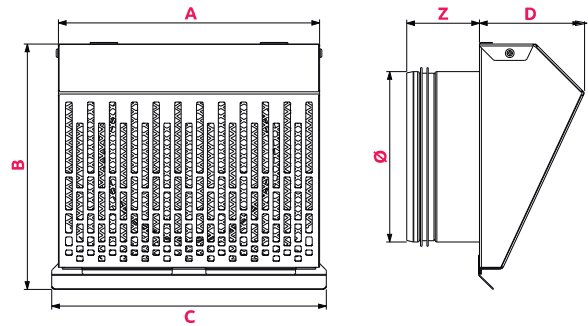
VWSM\*I/INOX

\* Connector diameter

## AIR FLOW CHARACTERISTICS



## DIMENSION



	Ø	A	B	C	D	Z
VWSM160	160	237	224	249	95	66
VWSM200	200	277	264	289	108	66
VWSM250	250	327	314	339	124	66
VWSM315	315	392	379	404	144	76

## MOUNTING POSITION

